

**ISOMETRIC VIEW**

1 : 20

CAGE DIMENSIONS			
DN	A	B	C
32/40 (Med - High Hazard)	1800	600	450
50 (Low Hazard)	1950	650	450
50 (Med - High Hazard)	2300	650	450
65 (Low Hazard)	1850	750	500
65 (Med - High Hazard)	2200	800	500
80 (Low Hazard)	2050	750	500
80 (Med - High Hazard)	2500	800	500
100 (Low Hazard)	2250	800	600
100 (Med - High Hazard)	2800	900	600
100 Fire Connection	1300	800	600
100 Mag. Flow Meter	2250	1250	600
100 with DN.25 By-Pass	1300	800	600
Sizes > DN100	TO BE DESIGNED BY CUSTOMER TO SUIT INSTALLATION, ENSURING SUFFICIENT CLEARANCE AND SAFE ACCESS IS PROVIDED		

**TABLE 1**

**GENERAL NOTES**

- All dimensions in millimetres (mm), unless noted otherwise.
- Dimensions are based on TasWater Standard water meter drawings TWS-W-0002, required cage dimensions should be confirmed on site prior to fabrication.
- Construct all framework from 50 x 50 x 4 mild steel equal angle.
- All welds to be continuous fillet or butt welds and ground flush on framework.
- Debur and remove all sharp edges.
- Provide drain holes prior to galvanising.
- Cage Padlock and Locking Pin (refer to TWS-W-0003-007 for detail) - supplied by TasWater.
- Weld cage mesh ('ARC Weldmesh' WB 422) on inside of panels.
- DN.100 (Low Hazard) meter cage drawn - for other meter types see Table 1 for required dimensions.
- Secure meter cage to concrete slab with 4 x M10 chemical anchors, 80 (min.) embedment.
- All cages must comply with the TasWater metering guidelines, and in particular must have a side gate which can be safely and easily opened by one person.

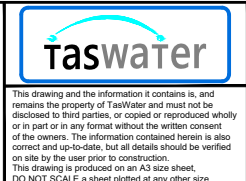


Revision Notes					
2. ADJUSTED DIMENSION B ON DN.100 MAG FLOW METER					
3. NOTES MODIFIED, DIMENSIONS FOR METER SIZES >DN100					
Rev.	Date	Approved			
3	10/09/2021	G. HENDERSON			

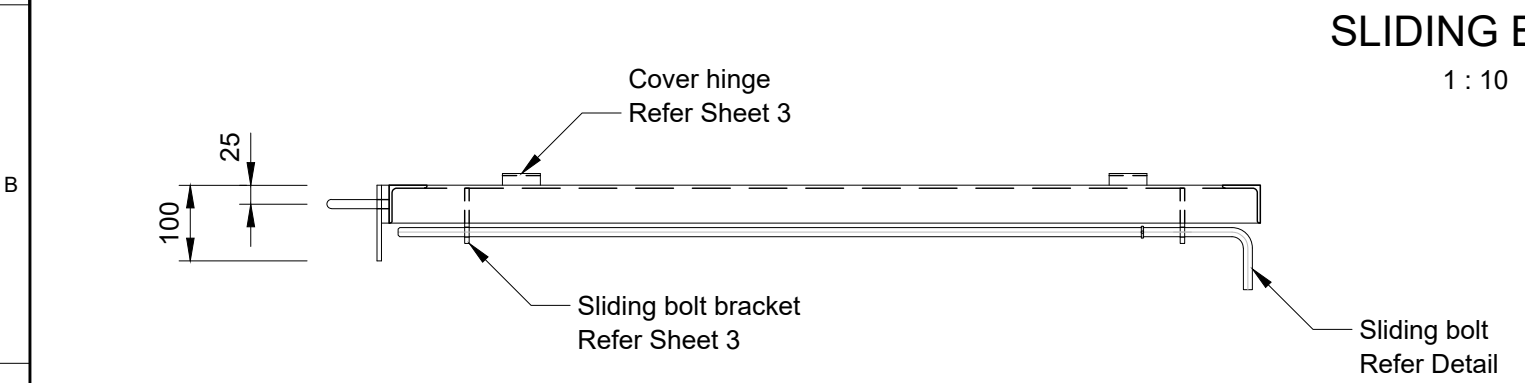
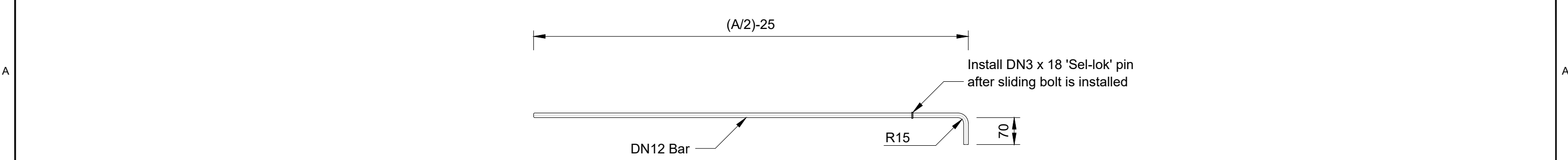


Scale	1 : 20
Datum	N/A
Sheet Size	A3
References	

Drawn	R. HAWLEY	06/02/2017
Designed	R. CAMERON	07/02/2017
Verified	R. JAMES	20/03/2017
Project No.	JR16982-035	Discipline W
Vault Folder	STANDARDS	© 2015
HPRM File Ref.	T15/82-006-0004	

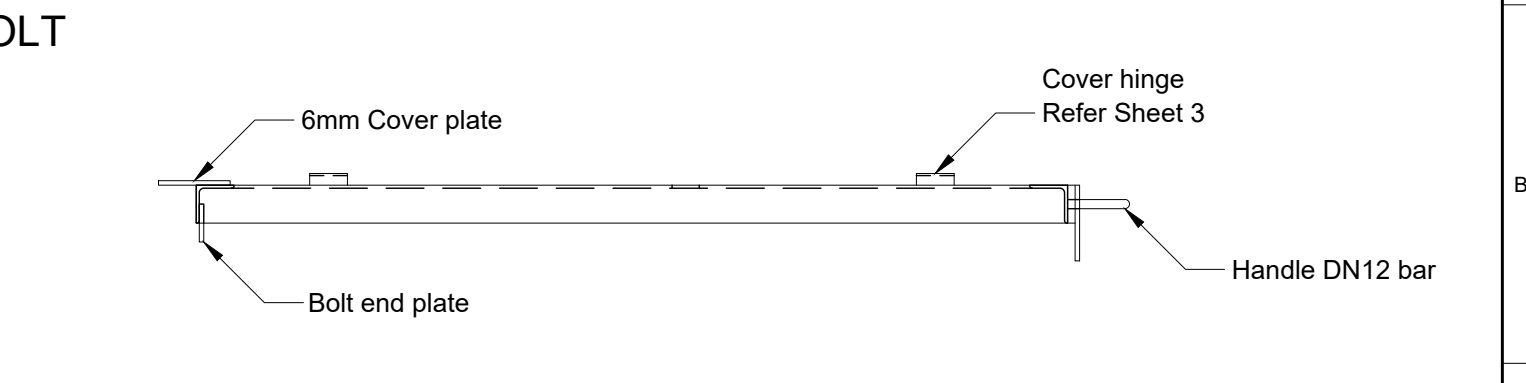


<b>TASWATER STANDARD DRAWING PROPERTY SERVICE CONNECTIONS CAGE FOR WATER METER ASSEMBLY ISOMETRIC VIEW AND NOTES</b>			
TASMANIAN WATER & SEWAGE CORPORATION PTY LTD ABN: 47 162220 653		Drawing Number <b>TWS-W-0003</b>	Sheet Number 1 of 7 Revision 3



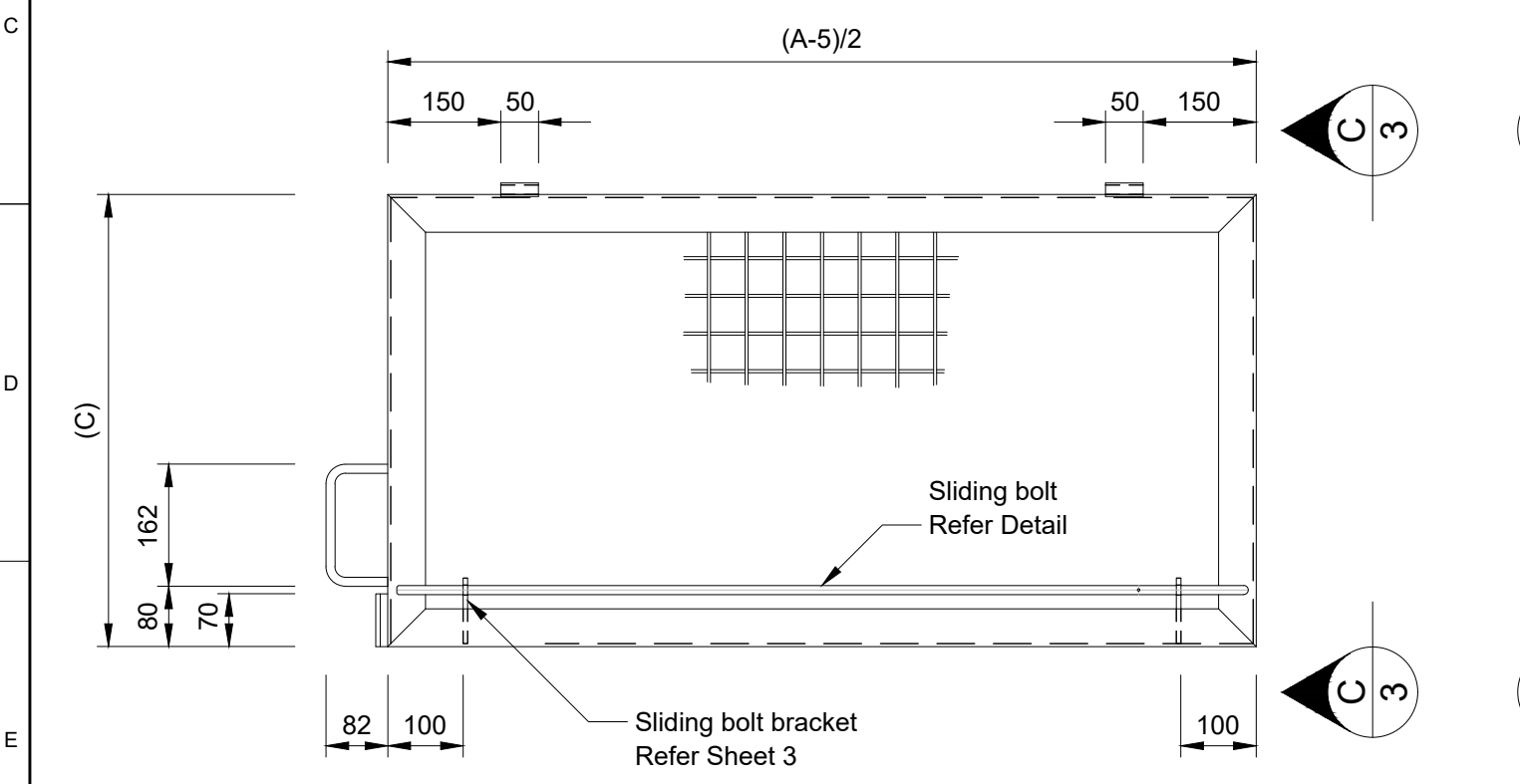
FRONT VIEW - COVER (L.H.S.)

1 : 10



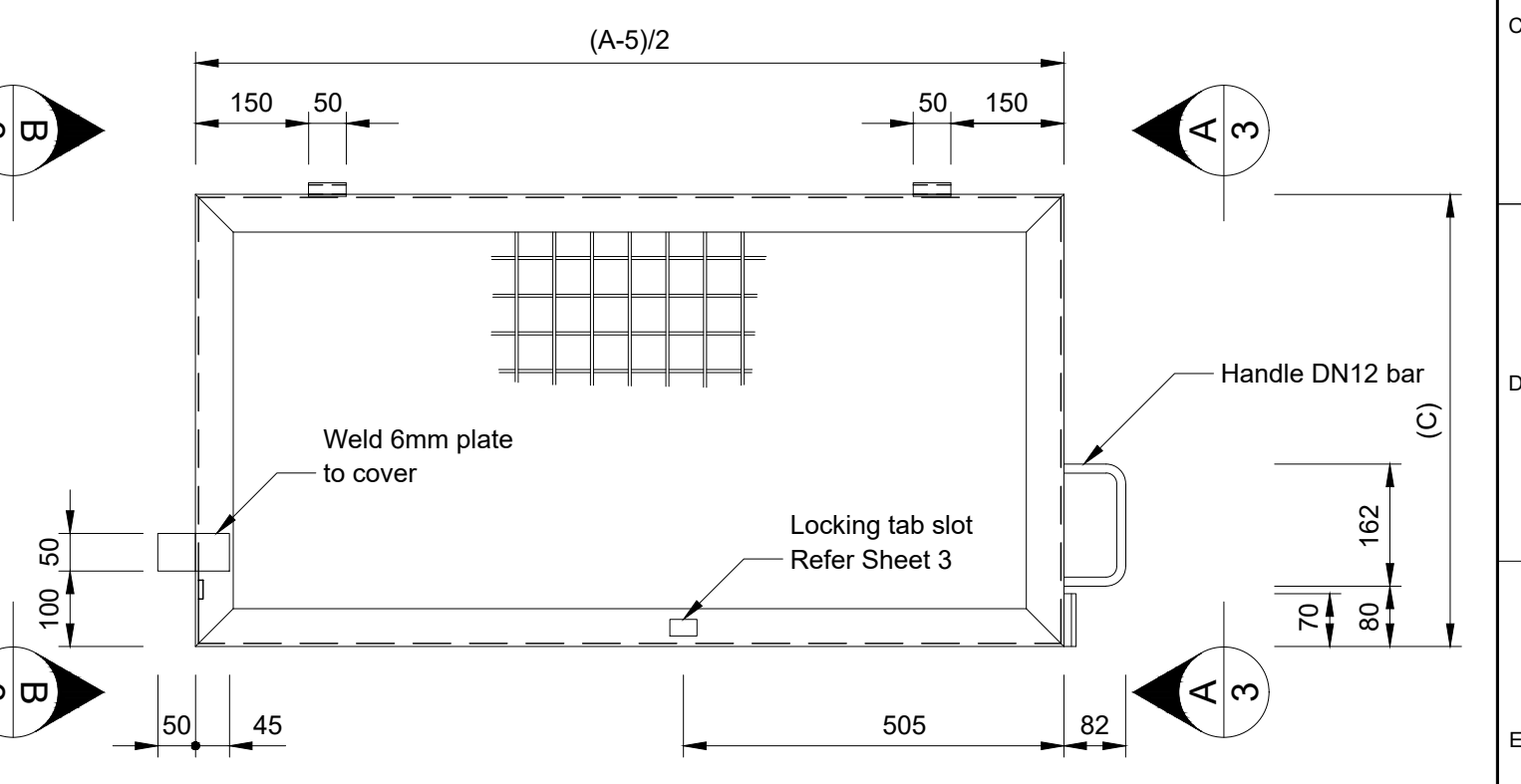
FRONT VIEW - COVER (R.H.S.)

1 : 10



PLAN - COVER (L.H.S.)

1 : 10

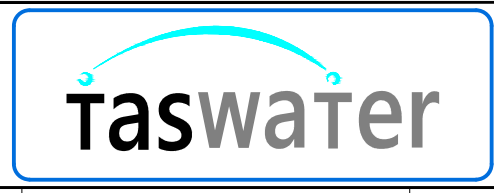


PLAN - COVER (R.H.S.)

1 : 10



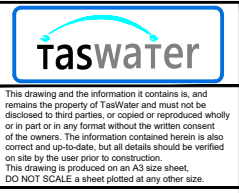
Revision Notes				
2. ADJUSTED DIMENSION B ON DN.100 MAG FLOW METER				
Rev.	2	Date	08/08/2018	Approved
		G. HENDERSON		



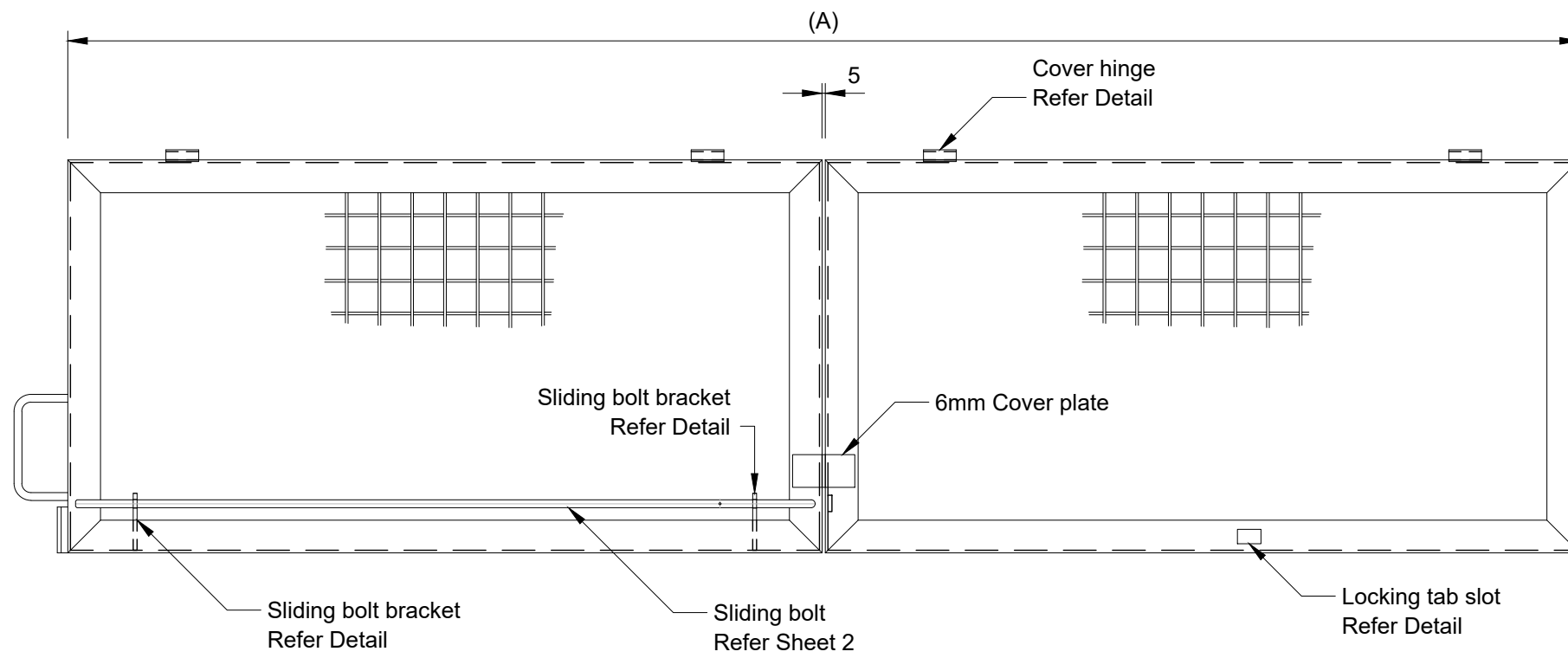
Scale	1 : 10
Datum	N/A
Sheet Size	A3
References	

Drawn	R. HAWLEY	06/02/2017
Designed	R. CAMERON	07/02/2017
Verified	R. JAMES	20/03/2017
Project No.	JR16982-035	Discipline W
Vault Folder	STANDARDS	© 2015
HPRM File Ref.	T1582-006-0004	

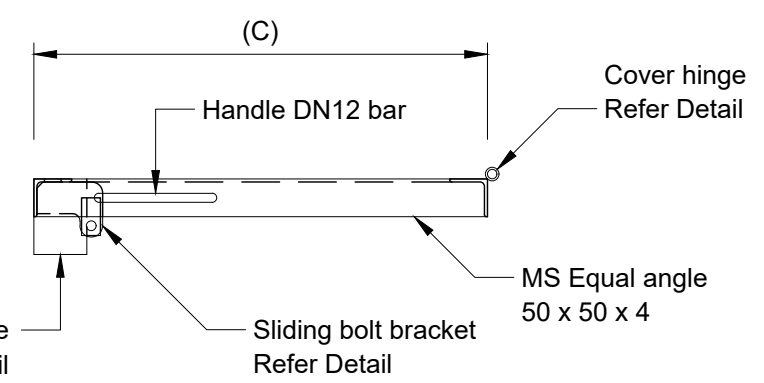
DRAWING ISSUE  
**APPROVED**



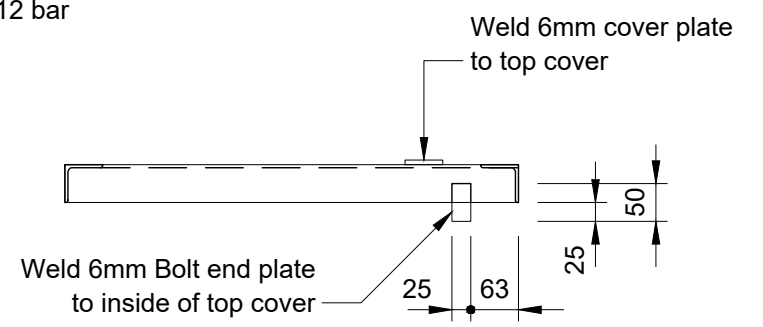
TASWATER STANDARD DRAWING PROPERTY SERVICE CONNECTIONS CAGE FOR WATER METER ASSEMBLY HINGED COVER DETAILS - SHEET 1			
TASMANIAN WATER & SEWAGE CORPORATION PTY LTD ABN: 47 162220 653	Sheet Number <b>TWS-W-0003</b>	Sheet Number 2 of 7	REVISION 2



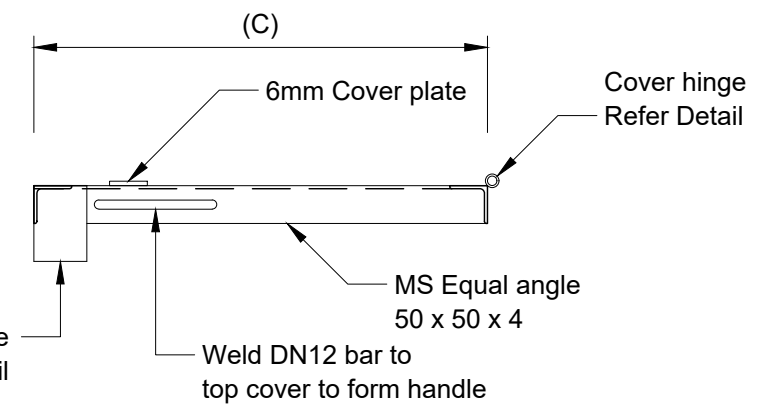
**PLAN - COVERS (COMPLETE)**  
1 : 10



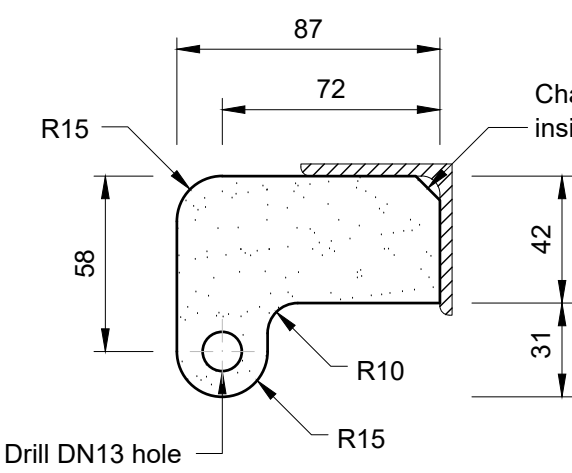
**SECTION C - C**  
1 : 10



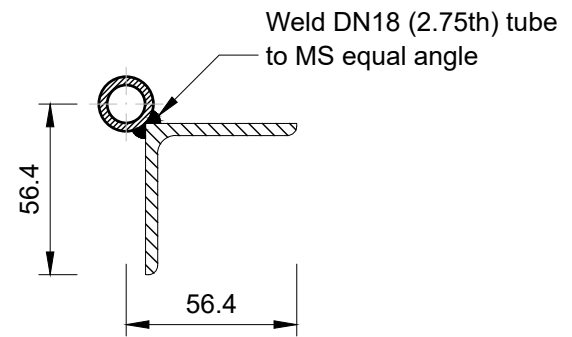
**SECTION B - B**  
1 : 10



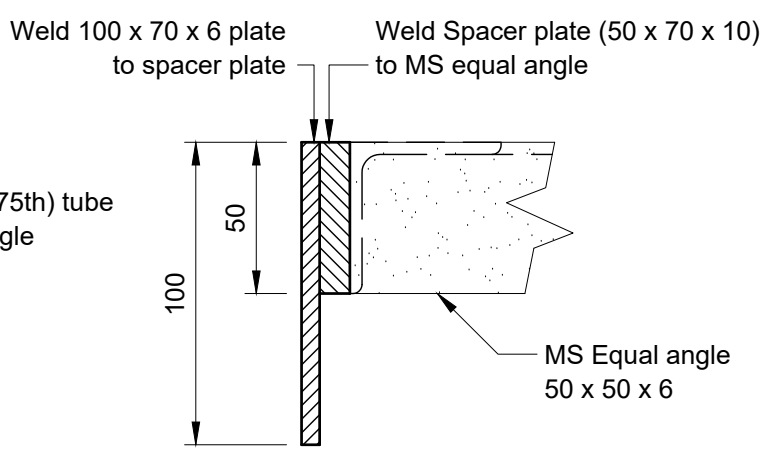
**SECTION A - A**  
1 : 10



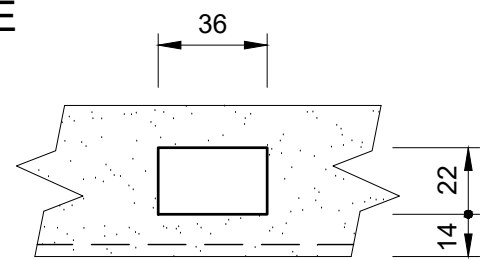
**SLIDING BOLT BRACKET**  
(2 OFF)  
1 : 2.5



**COVER HINGE**  
(4 OFF)  
1 : 2.5



**PIN COVER PLATE**  
(2 OFF)  
1 : 2.5



**LOCKING TAB SLOT**  
1 : 2.5



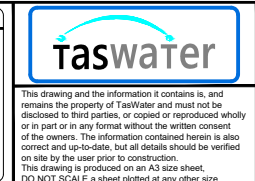
Revision Notes				
2. ADJUSTED DIMENSION B ON DN.100 MAG FLOW METER				
Rev.	Date	Approved		
2	08/08/2018	G. HENDERSON		



Scale	As Shown
Datum	N/A
Sheet Size	A3
References	

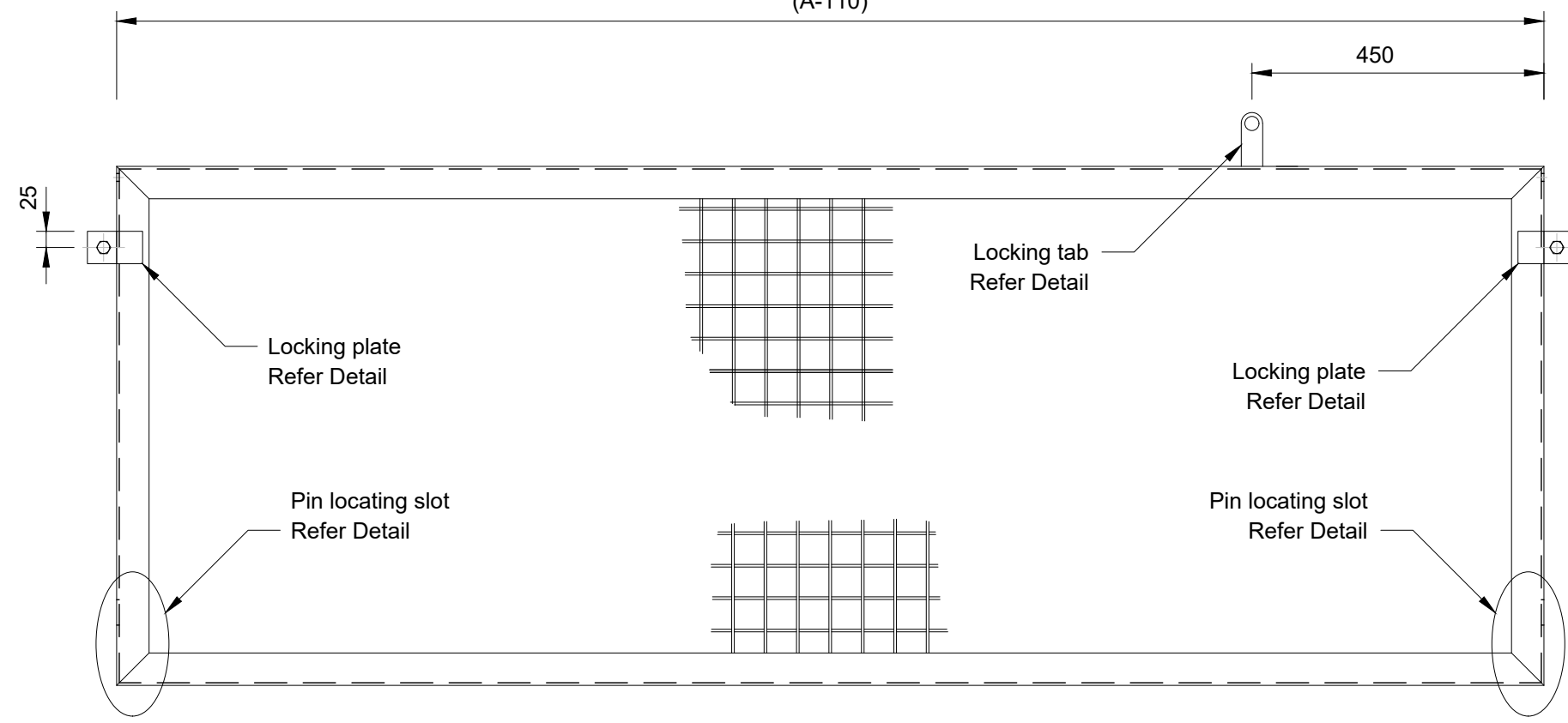
Drawn	R. HAWLEY	06/02/2017
Designed	R. CAMERON	07/02/2017
Verified	R. JAMES	20/03/2017
Project No.	JR16982-035	Discipline W
Vault Folder	STANDARDS	© 2015
HPRM File Ref.	T15/82-006-0004	

DRAWING ISSUE  
**APPROVED**

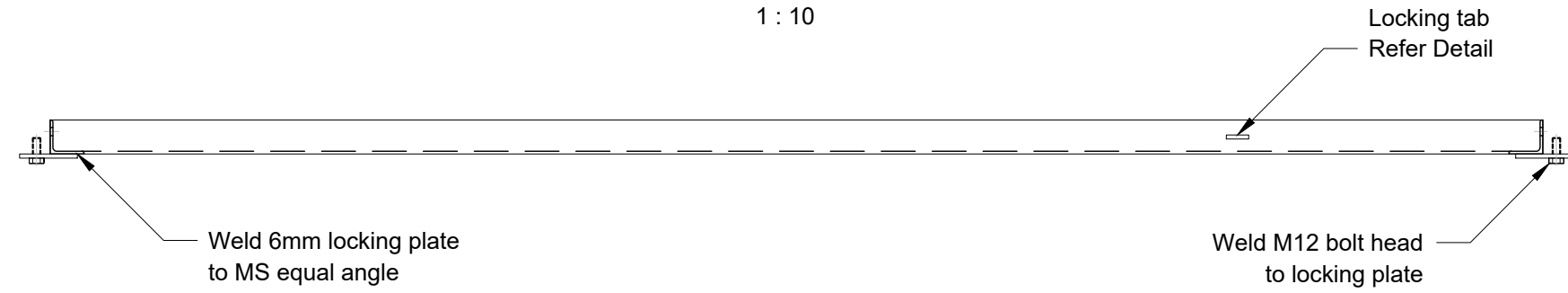


TASWATER STANDARD DRAWING PROPERTY SERVICE CONNECTIONS CAGE FOR WATER METER ASSEMBLY HINGED COVER DETAILS - SHEET 2			
TASMANIAN WATER & SEWAGE CORPORATION PTY LTD ABN: 47 162220 653	Sheet Number <b>TWS-W-0003</b>	Revision 3 of 7	2

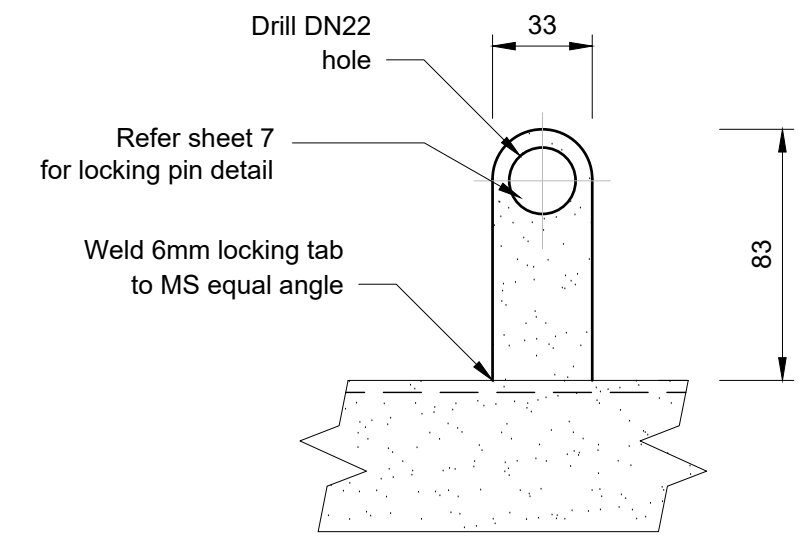
(A-110)



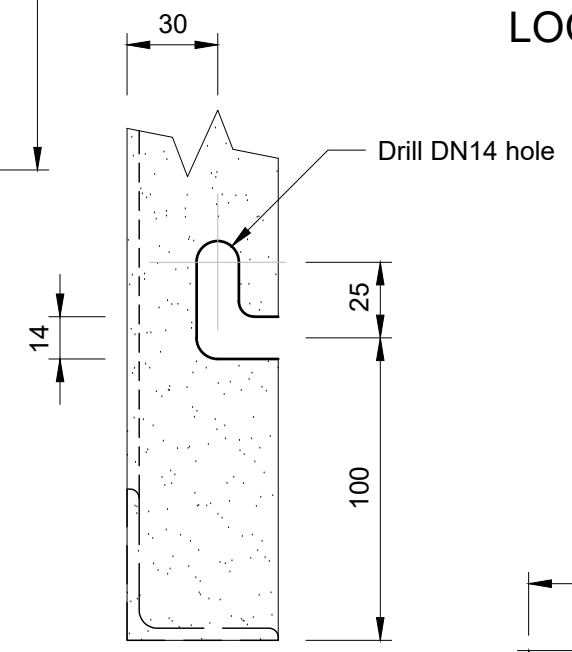
FRONT VIEW  
1 : 10



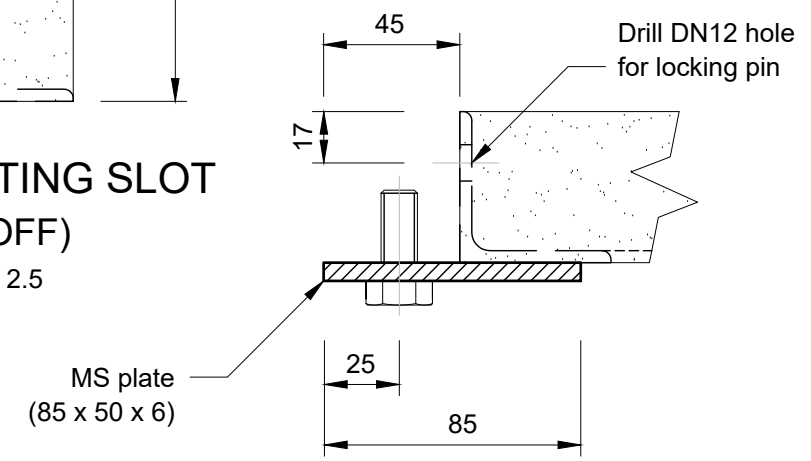
PLAN  
1 : 10



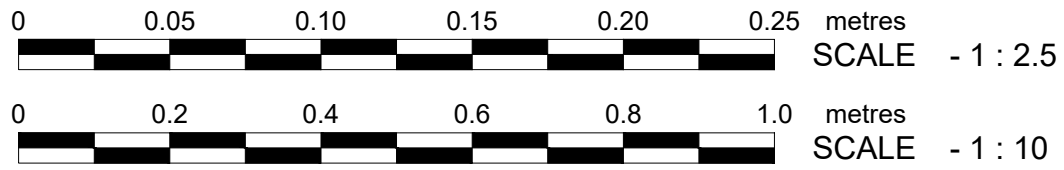
LOCKING TAB  
1 : 2.5



PIN LOCATING SLOT  
(2 OFF)  
1 : 2.5



LOCKING PLATE DETAIL  
(2 OFF)  
1 : 2.5



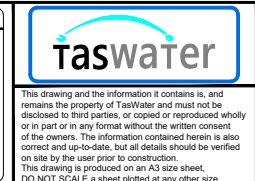
Revision Notes				
Rev.	3	Date	10/9/2021	Approved
2. ADJUSTED DIMENSION B ON DN.100 MAG FLOW METER				
3. UPDATED NOTE FOR LOCKING PIN				
G. HENDERSON				



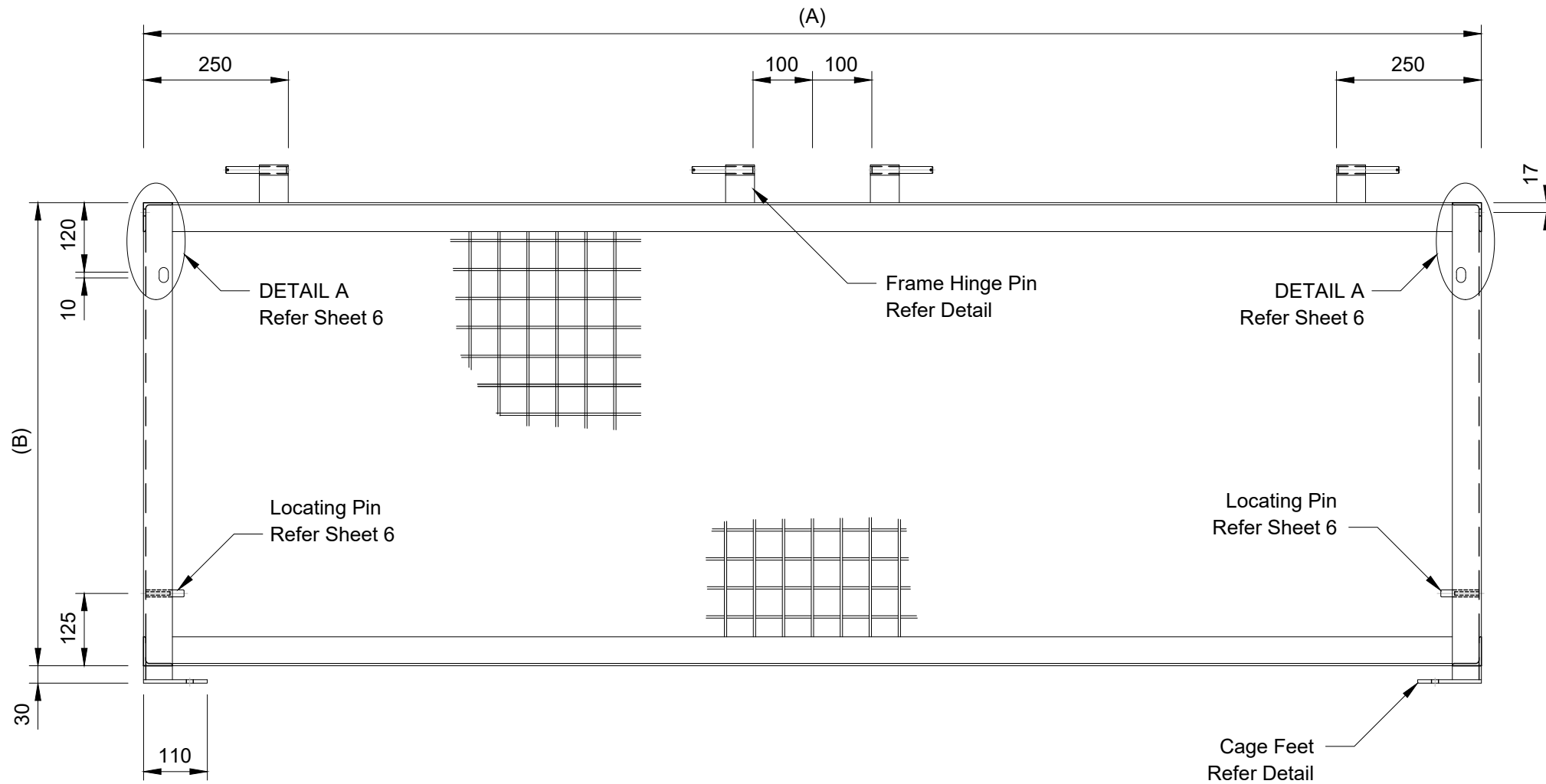
Scale	As Shown
Datum	N/A
Sheet Size	A3
References	

Drawn	R. HAWLEY	06/02/2017
Designed	R. CAMERON	07/02/2017
Verified	R. JAMES	20/03/2017
Project No.	JR16982-035	Discipline W
Vault Folder	STANDARDS	© 2015
HPRM File Ref.	T1582-006-0004	

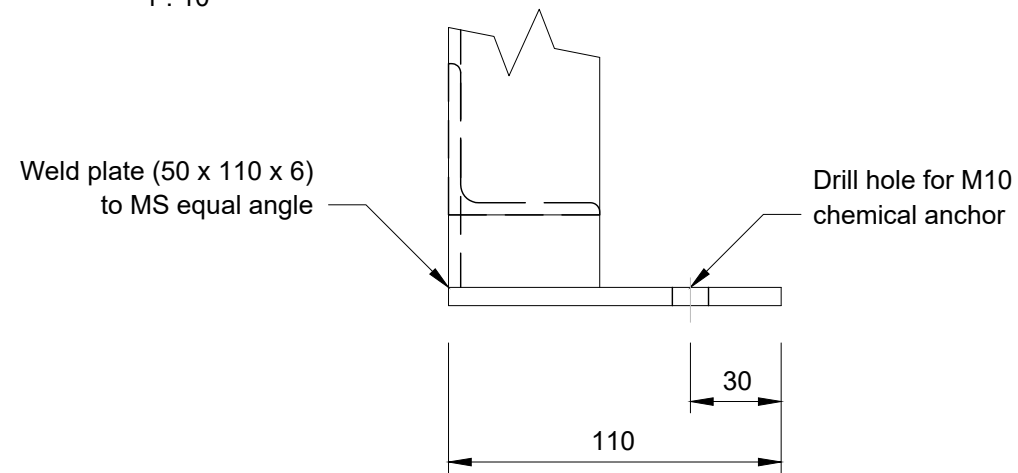
DRAWING ISSUE  
**APPROVED**



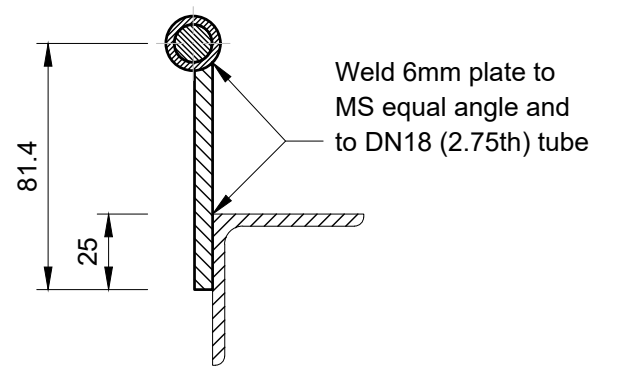
TASWATER STANDARD DRAWING PROPERTY SERVICE CONNECTIONS CAGE FOR WATER METER ASSEMBLY FRONT PANEL DETAILS		
TASMANIAN WATER & SEWAGE CORPORATION PTY LTD ABN: 47 162220 653	Sheet Number <b>TWS-W-0003</b>	REVISION 4 of 7 3



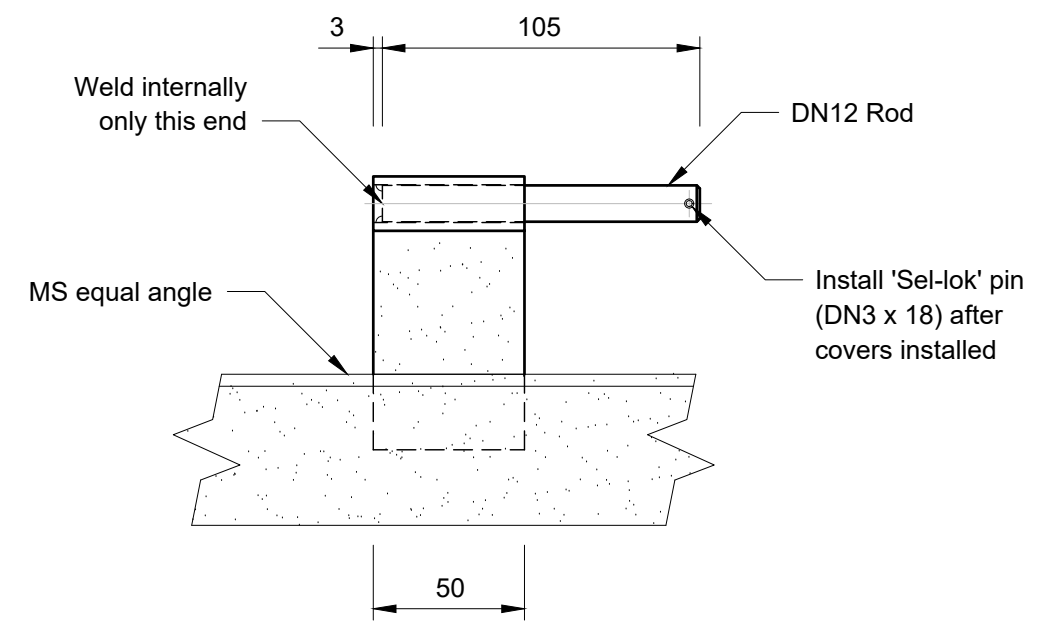
**FRAME - FRONT VIEW**  
1 : 10



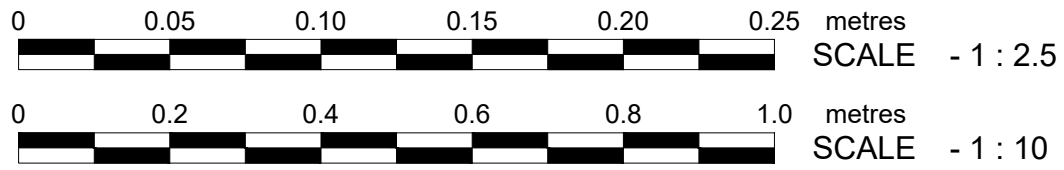
**CAGE FEET (FRONT VIEW)**  
(4 OFF)  
1 : 2.5



**FRAME HINGE PIN DETAIL - SIDE VIEW**  
1 : 2.5



**FRAME HINGE PIN DETAIL - FRONT VIEW**  
(4 OFF)  
1 : 2.5



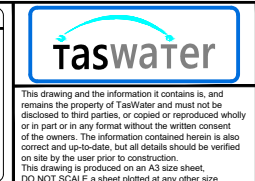
Revision Notes				
2. ADJUSTED DIMENSION B ON DN.100 MAG FLOW METER				
Rev.	2	Date	08/08/2018	Approved
		G. HENDERSON		



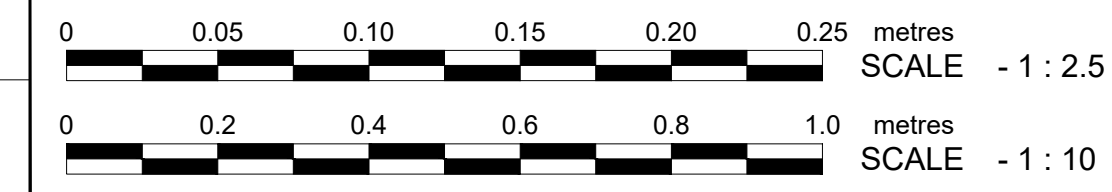
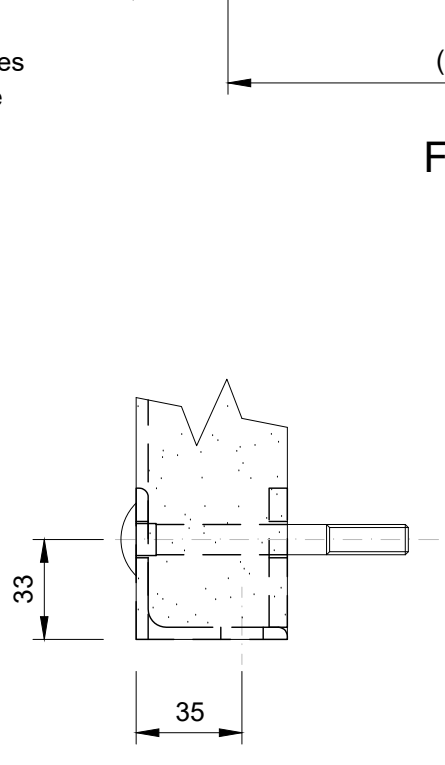
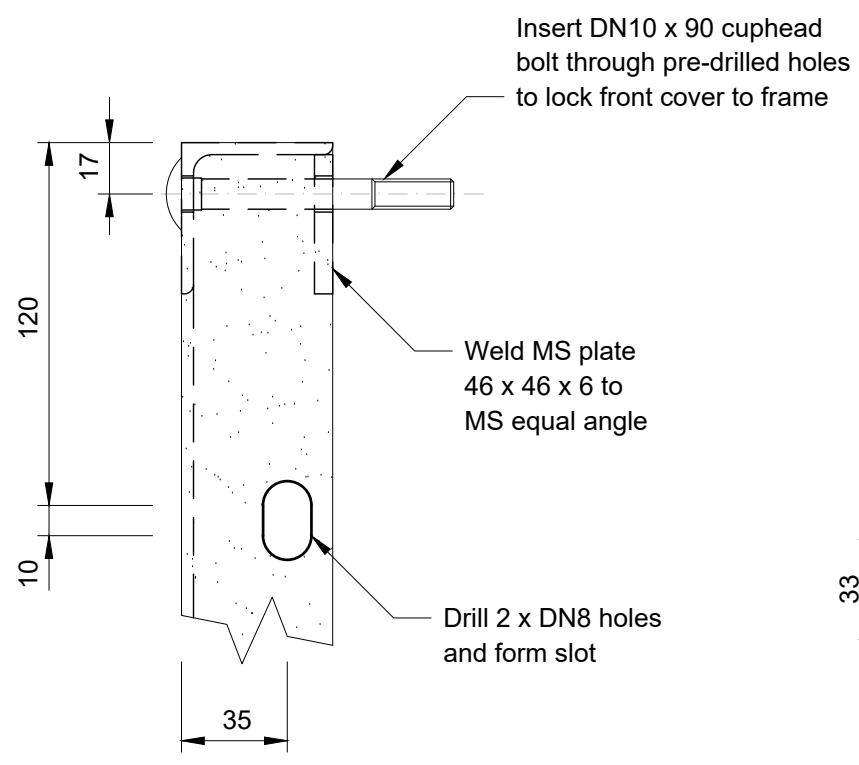
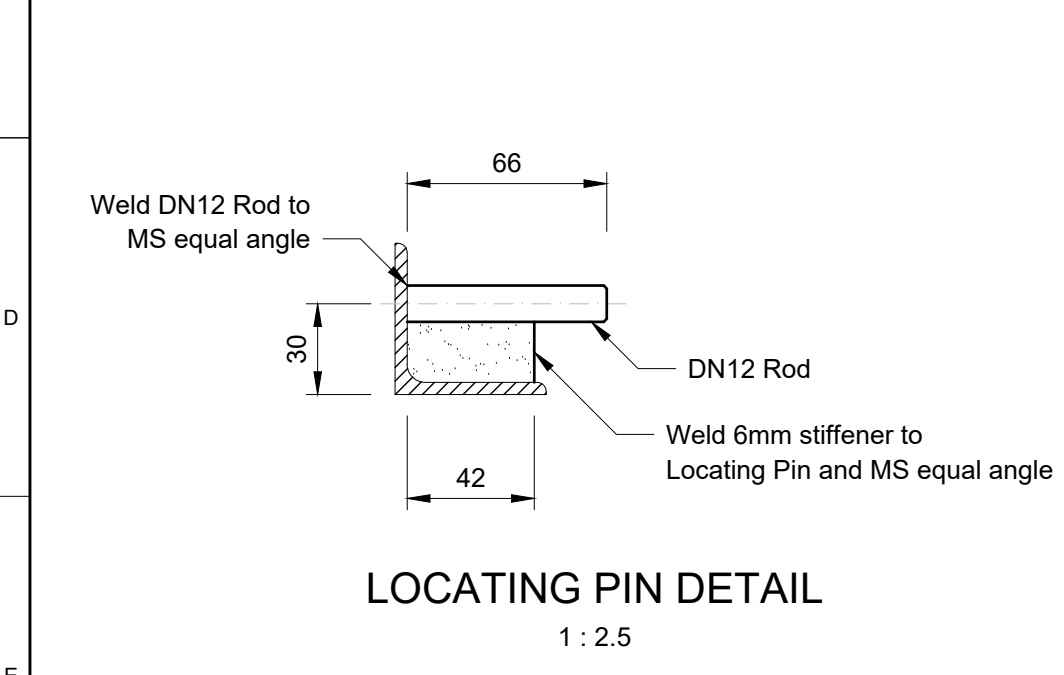
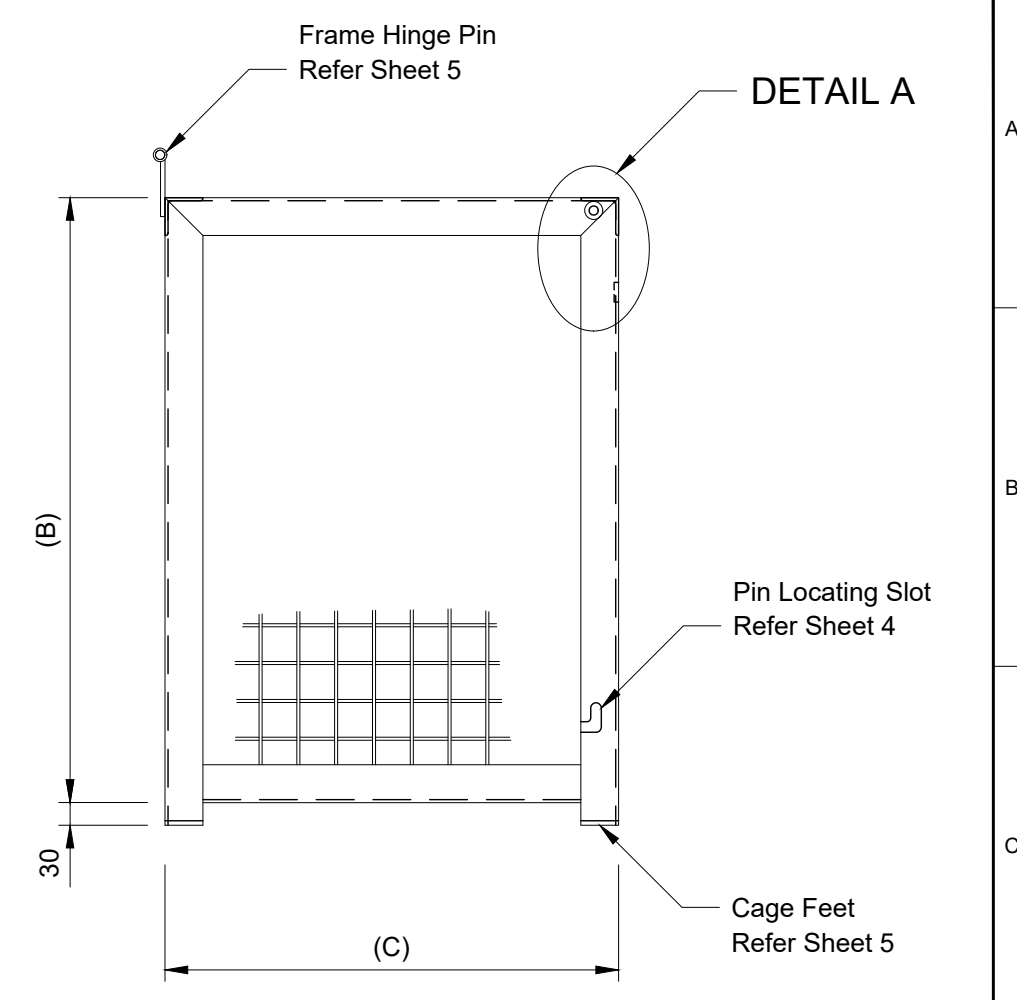
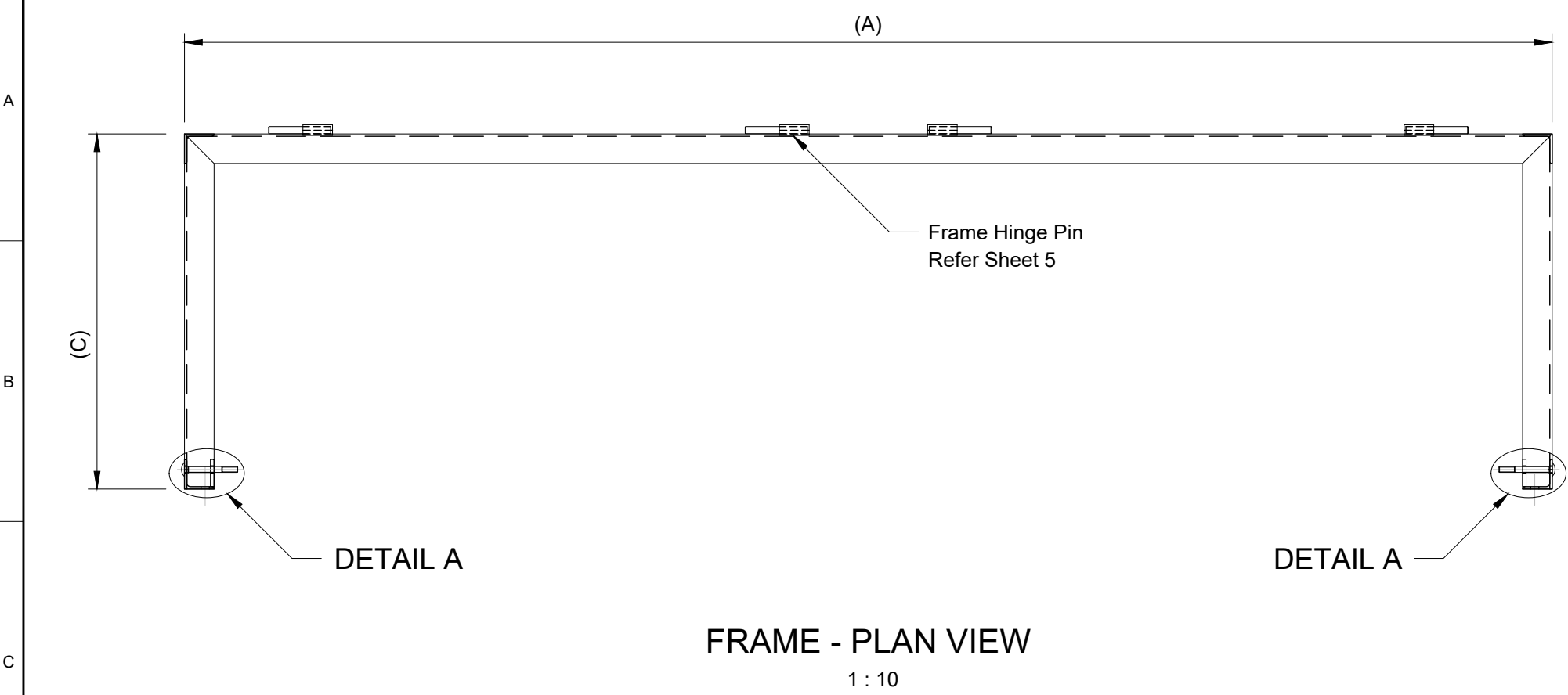
Scale	As Shown
Datum	N/A
Sheet Size	A3
References	

Drawn	R. HAWLEY	06/02/2017
Designed	R. CAMERON	07/02/2017
Verified	R. JAMES	20/03/2017
Project No.	JR16982-035	Discipline W
Vault Folder	STANDARDS	© 2015
HPRM File Ref.	T1582-006-0004	

DRAWING ISSUE  
**APPROVED**



TASWATER STANDARD DRAWING PROPERTY SERVICE CONNECTIONS CAGE FOR WATER METER ASSEMBLY FRAME - FRONT VIEW AND DETAILS		
TASMANIAN WATER & SEWAGE CORPORATION PTY LTD ABN: 47 162220 653	Sheet Number <b>TWS-W-0003</b>	REVISION 5 of 7 2



DETAIL A  
(2 OFF)  
1:2.5

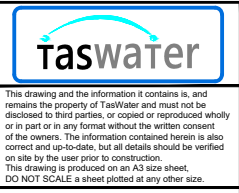
Revision Notes				
2. ADJUSTED DIMENSION B ON DN.100 MAG FLOW METER				
Rev.	2	Date	08/08/2018	Approved
		G. HENDERSON		



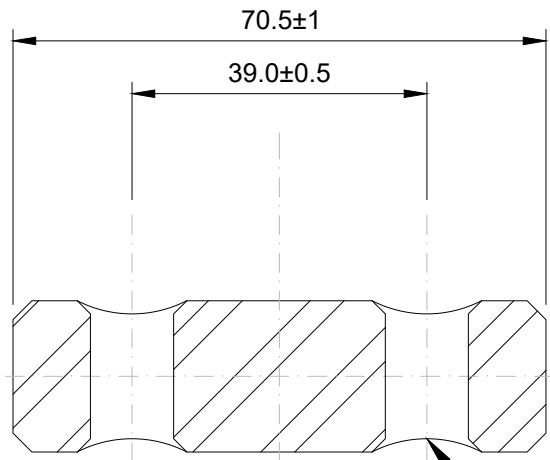
Scale	As Shown
Datum	N/A
Sheet Size	A3
References	

Drawn	R. HAWLEY	06/02/2017
Designed	R. CAMERON	07/02/2017
Verified	R. JAMES	20/03/2017
Project No.	JR16982-035	Discipline W
Vault Folder	STANDARDS	© 2015
HPRM File Ref.	T1582-006-0004	

DRAWING ISSUE  
**APPROVED**

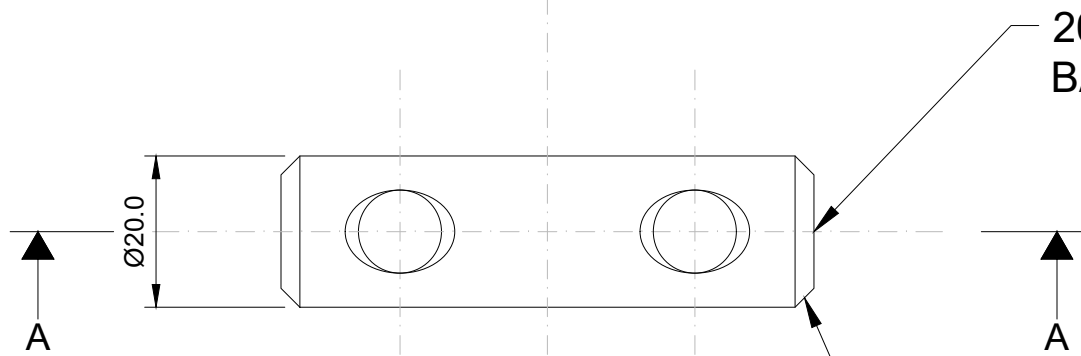


TASWATER STANDARD DRAWING PROPERTY SERVICE CONNECTIONS CAGE FOR WATER METER ASSEMBLY FRAME - PLAN, SIDE VIEW AND DETAILS			
TASMANIAN WATER & SEWAGE CORPORATION PTY LTD ABN: 47 162220 653	Sheet Number <b>TWS-W-0003</b>	Revision <b>2</b>	6 of 7



SECTION A-A  
1:1

2x Ø11 THROUGH  
Ø14.5x90° CSK



LOCKING PIN DETAIL  
1:1

20Ø 316SS ROUND  
BAR

2mm CHAMFER  
ALLROUND

Locking Pin

Locking Tab

CUSTOMER PADLOCK  
(TYPICAL)

TOP COVER  
RHS

TASWATER  
PADLOCK  
(TYPICAL)

FRONT PANEL

TYPICAL LOCKING ARRANGEMENT  
ISOMETRIC

1:2

NOTES:

1. ALL DIMENSIONS ARE IN mm
2. REMOVE ALL SHARP EDGES AND BURRS

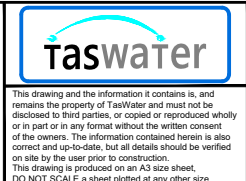
Revision Notes				
1. LOCKING PIN DETAILS SUPPLIED				
Rev.	1	Date	10/09/2021	Approved
		G. HENDERSON		



Scale	As Shown
Datum	N/A
Sheet Size	A3
References	

Drawn	M. SECKER	20/08/2021
Designed	D. WILLIAMS	20/08/2021
Verified	G. HENDERSON	10/09/2021
Project No.	JR16982-035	Discipline W
Vault Folder	STANDARDS	© 2021
HPRM File Ref.	T1582-006-0004	

DRAWING ISSUE  
**APPROVED**



TASWATER STANDARD DRAWING PROPERTY SERVICE CONNECTIONS CAGE FOR WATER METER ASSEMBLY LOCKING PIN INSTALLATION AND DETAIL		
TASMANIAN WATER & SEWAGE CORPORATION PTY LTD ABN: 47 162220 653	Customer Number <b>TWS-W-0003</b>	Sheet Number 7 of 7
		REVISION 1