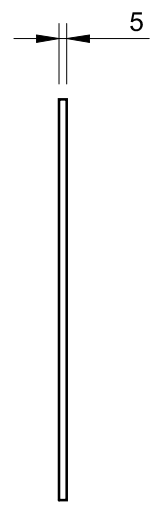
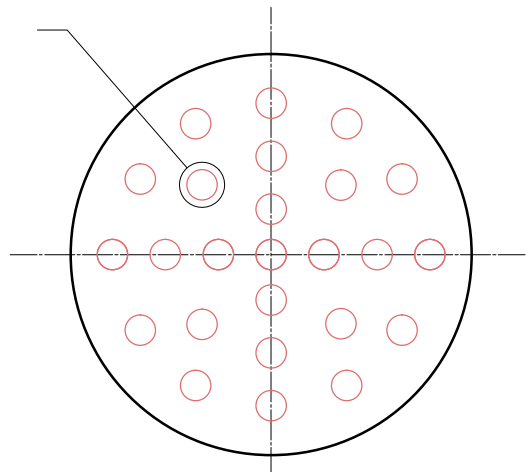


25 OR MORE Ø20 HOLES (ON RADIUS)



PLAN ELEVATION
DETAIL OF METAL GRATE

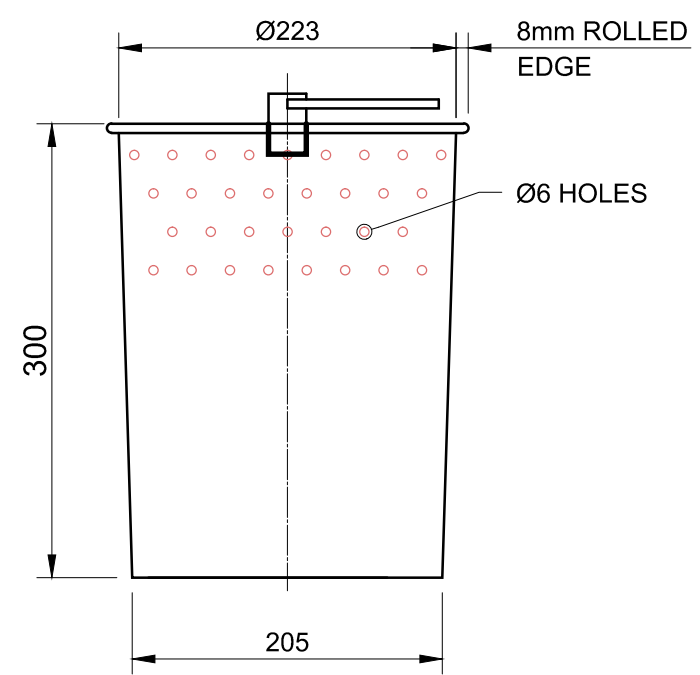
GUIDELINES

1. DIMENSIONS SHOWN ARE MINIMUM ACCEPTABLE SIZE ONLY.
2. BODY TYPE IS THE SAME FOR TYPE 'A' AND 'C' BUCKETS.
3. ALL DIMENSIONS SHOWN IN MILLIMETRES.

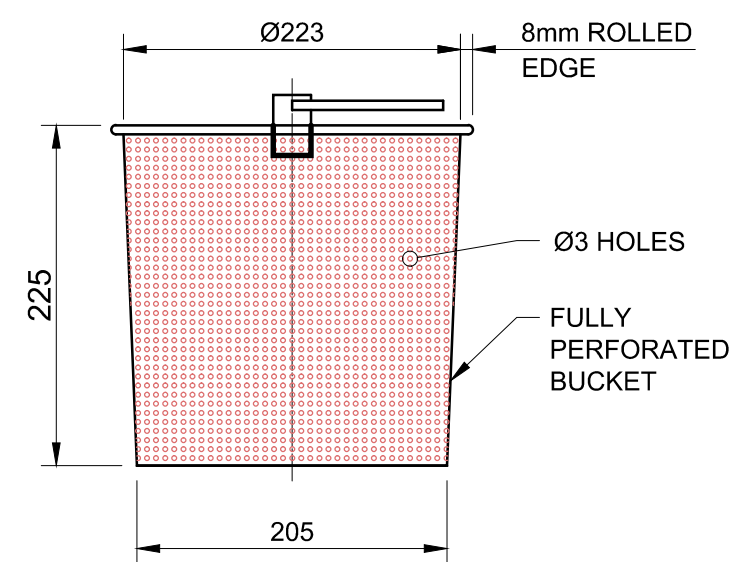
TYPE A - BUCKET TO BE USED WHERE THERE IS SAND, CLAY, PLASTER OR HEAVY SOLID MATERIAL WHICH MAY ENTER THE SEWER.

TYPE C - BUCKET TO BE USED IN ALL OTHER PROCESSES i.e. VEG PROCESSING, BUTCHERING ETC.

FOR FURTHER ADVICE CONTACT TASWATER TRADE WASTE SECTION.



TYPE 'A' BUCKET



TYPE 'C' BUCKET

TO BE READ IN CONJUNCTION WITH TASWATER PRETREATMENT GUIDELINES

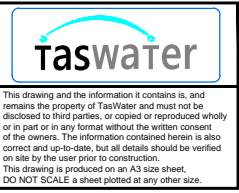
Revision Notes				
B - INITIAL RELEASE				
Rev.	B	Date	6/10/2015	Approved
				AD



Scale	NTS
Datum	-
Sheet Size	A3
References	

Drawn	PH	24/9/2015
Designed	GC	24/9/2015
Verified	AD	6/10/2015
Project No.	-	Discipline
Vault Folder	© 2015	
HPRM File Ref.	T15/161-002-0001	

DRAWING ISSUE
NOT FOR CONSTRUCTION



TASWATER STANDARD DRAWING TRADE WASTE TYPICAL DRAWING BUCKET TRAP			
TASMANIAN WATER & SEWAGE CORPORATION PTY LTD ABN: 47 162220 653		Drawing Number TWS-C-0001	Sheet Number 2
		Revision B	