

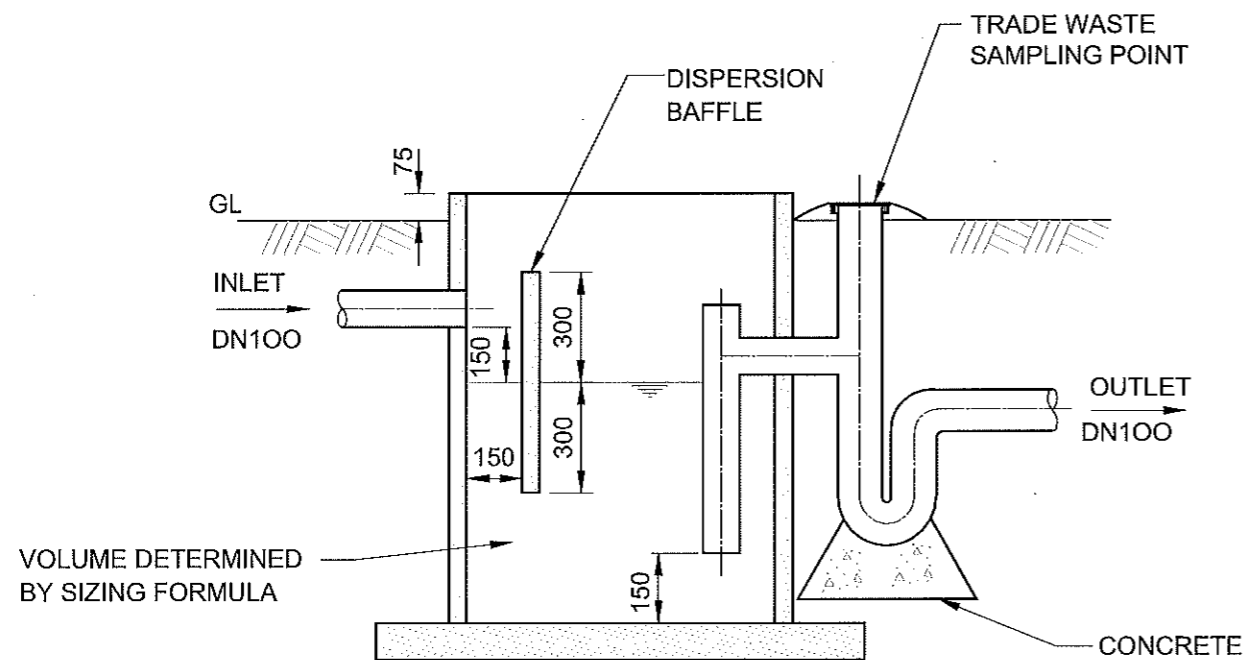
GUIDELINES

1. CONSTRUCTION OF THE PIT SHALL BE OF REINFORCED CONCRETE OR OTHER APPROVED MATERIAL. CAN BE EITHER RECTANGULAR OR CIRCULAR.
2. THE LID SHALL BE CONSTRUCTED OF GALVANIZED OPEN GRATING WITH A RAISED SURROUND OF NOT LESS THAN 75MM ABOVE GROUND LEVEL. IF LOCATED IN SEALED AREA THE PIT MAY BE FINISHED FLUSH WITH THE FINISHED FLOOR LEVEL, BUT MUST GRADE AWAY MINIMUM OF 25MM IF LOCATED OUTSIDE.
3. ALL FIXINGS AND FIXING BRACKETS FOR BAFFLE MUST BE MADE OF 316 STAINLESS STEEL.
4. THE DISPERSION BAFFLE SHALL BE MADE OF MATERIAL SO THAT IT DOES NOT DISTORT FROM THE HEAT.
5. ALL DIMENSIONS SHOWN ARE IN MILLIMETRES.

SIZING FORMULA

$$V = V_H + V_H \times F \quad F = \frac{T_H - T_A}{T_A - T_C}$$

V = THE MINIMUM VOLUME OF THE PIT BELOW THE WATER LEVEL.
 V_H = ESTIMATED VOLUME OF HOT WATER DISCHARGED AT ONE TIME.
 F = THE ESTIMATED FACTOR.
 T_H = MAXIMUM TEMPERATURE OF HOT WATER DISCHARGED INTO THE PIT.
 T_C = ASSUMED TEMPERATURE OF COLD WATER IN THE PIT, SAY 20°C
 T_A = TEMPERATURE OF WASTE ALLOWED INTO THE SEWER OF 38°C.



TO BE READ IN CONJUNCTION WITH TASWATER PRETREATMENT GUIDELINES

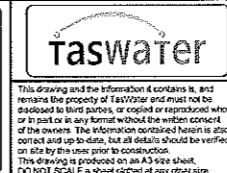
| Revision Notes | | | | | |
|---------------------|---|------|-----------|----------|----|
| B - INITIAL RELEASE | | | | | |
| Rev. | B | Date | 6/10/2015 | Approved | AD |



| | |
|------------|-----|
| Scale | NTS |
| Datum | - |
| Sheet Size | A3 |
| References | |

| | | |
|----------------|-----------------|------------|
| Drawn | PH | 24/9/2015 |
| Designed | GC | 24/9/2015 |
| Verified | AD | 8/10/2015 |
| Project No. | - | Discipline |
| Vault Folder | - | © 2015 |
| HPRM File Ref. | T15151-002-0001 | |

DRAWING ISSUE
NOT FOR CONSTRUCTION



| | | | |
|---|------------|--------------------|---------------|
| TASWATER STANDARD DRAWING TRADE WASTE TYPICAL DRAWING COOLING PIT / BOILER BLOWDOWN | | | |
| TASMANIAN WATER & SEWAGE CORPORATION PTY LTD ABN: 47 163270 653 | TWS-C-0001 | Sheet Number 10 | REVISION B |