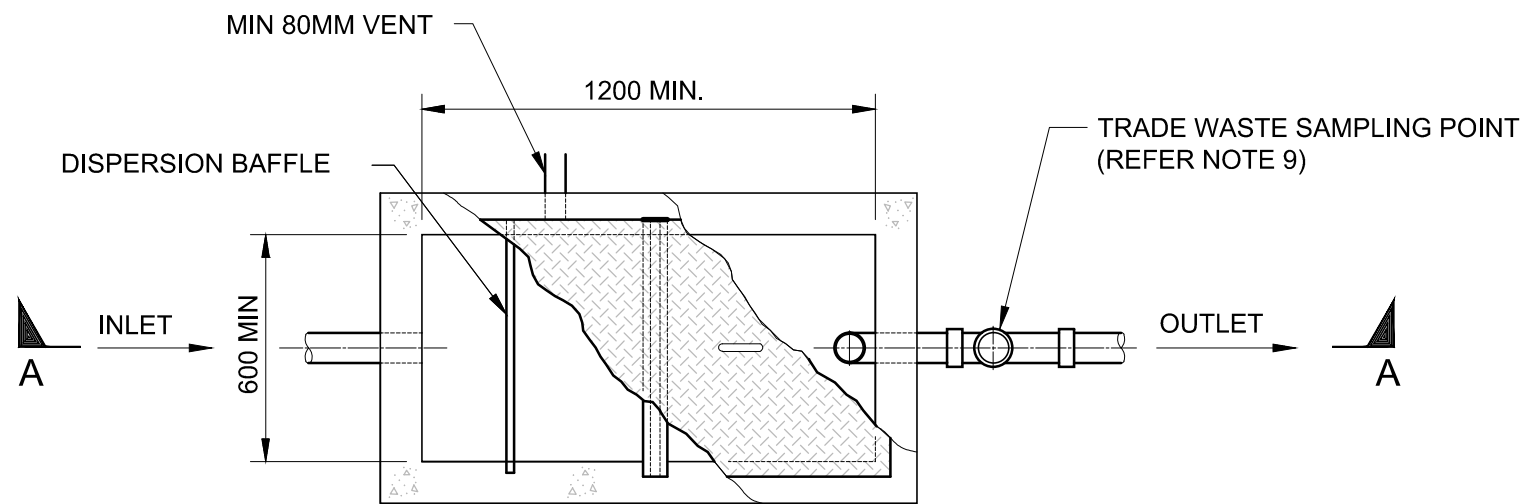


SECTION A



PLAN

GUIDELINES

1. THE INTERNAL SURFACES MUST BE OF IMPERVIOUS MATERIAL.
2. THE SETTLEABLE SOLIDS ARRESTORS MAY BE CONSTRUCTED, PREFABRICATED OR PRECAST. HOWEVER, THE DESIGN MATERIAL USED AND SIZE IS TO BE EXAMINED BY TASWATER.
3. SETTLEABLE SOLIDS SILT ARRESTORS MUST BE PROVIDED WITH READY AND PERMANENT ACCESS FOR CLEANING.
4. THE MINIMUM ACCEPTED VOLUME OF A SETTLEABLE SOLIDS ARRESTOR IS 1000 LITRES.
5. GAS TIGHT COVERS TO ARRESTORS ARE REQUIRED WHERE:
 - A. THERE IS VEHICULAR TRAFFIC.
 - B. THERE IS PEDESTRIAN TRAFFIC.
 - C. ARRESTORS ARE SUBJECT TO STORMWATER INTRUSION.
 - D. THE ARRESTOR IS INSTALLED INSIDE A BUILDING.
6. SETTLEABLE SOLIDS ARRESTORS MUST BE PROVIDED WITH ACCESS FOR CLEANING AND MAINTENANCE PURPOSES.
7. DISPERSION BAFFLE SHALL BE MADE OF MATERIAL THAT DOES NOT DISTORT.
8. ALL MEASUREMENTS SHOWN ARE IN MILLIMETRES.
9. IF SAMPLING POINT IS SEALED A SEPARATE 50mm VENT IS REQUIRED ON SAMPLE POINT RISER ABOVE WATER LEVEL.

TO BE READ IN CONJUNCTION WITH TASWATER PRETREATMENT GUIDELINES

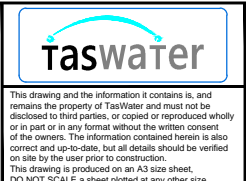
Revision Notes				
B - INITIAL RELEASE				
Rev.	B	Date	6/10/2015	Approved
				AD



Scale	NTS
Datum	-
Sheet Size	A3
References	

Drawn	PH	24/9/2015
Designed	GC	24/9/2015
Verified	AD	6/10/2015
Project No.	-	Discipline
Vault Folder	© 2015	
HPRM File Ref.	T15/161-002-0001	

DRAWING ISSUE
NOT FOR CONSTRUCTION



TASWATER STANDARD DRAWING TRADE WASTE TYPICAL DRAWING SETTLEABLE SOLIDS ARRESTOR			
TASMANIAN WATER & SEWAGE CORPORATION PTY LTD ABN: 47 162220 653		Drawn Number TWS-C-0001	Sheet Number 7
		Revision B	