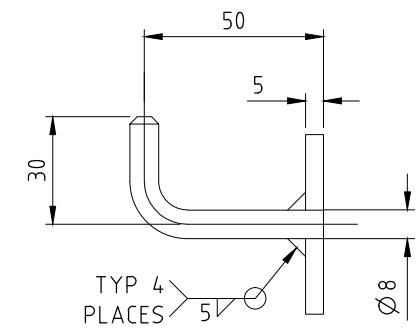


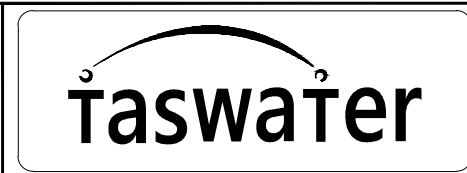
FRONT VIEW
SCALE 1:2 @ A3

MATERIAL - 316 STAINLESS STEEL
FASTENERS - 2 x M10 316 STAINLESS STEEL - MIN 50 LONG



SECTION A
SCALE 1:2 @ A3

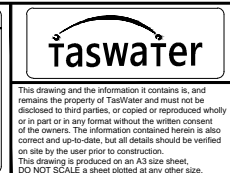
Revision Notes Direct copy of Southern Water dwg SW-SD-S-21r0.					
Rev.	A	Date	7/10/2015	Approved	S.Dadswell



Scale	As shown
Datum	AHD (Tas.)
Sheet Size	A3
References	

Drawn	T.Peebles	7/10/2015
Designed	S.Dadswell	7/10/2015
Verified	R.Witek	7/10/2015
Project No.	J15152	Discipline E
Vault Folder	STANDARDS	© 2015
HPRM File Ref.	15/173299	

DRAWING ISSUE
NOT FOR CONSTRUCTION



TASWATER STANDARD DRAWING SEWAGE PUMP STATION LEVEL SENSOR AND FLOAT BRACKET FABRICATION DETAILS			
TASMANIAN WATER & SEWAGE CORPORATION PTY LTD ABN: 47 162220 653	Drawing Number TWS-E-0009	Sheet Number 01	Revision A