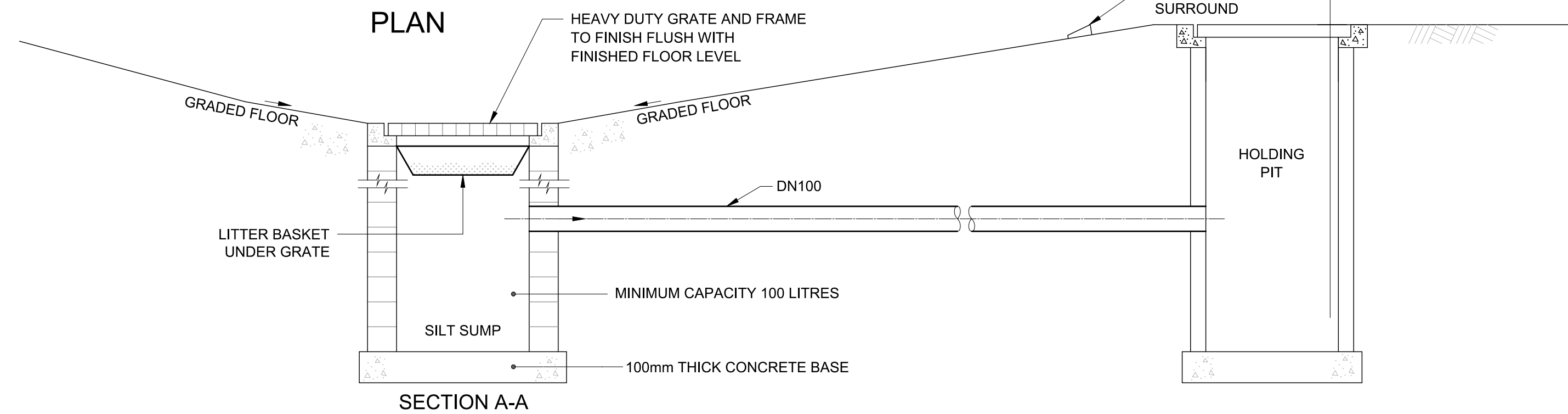


- NOTES**
1. WASHDOWN AREAS GREATER IN SIZE THAN 20 SQUARE METRES MUST BE ROOFED.
 2. ALL SILT SUMP DESIGNS WILL BE CONSIDERED, HOWEVER, THEY MUST BE A MINIMUM OF 100 LITRES IN EFFECTIVE CAPACITY.
 3. TRADE WASTE SAMPLING POINTS SHALL BE INSTALLED DOWNSTREAM OF OIL SEPARATORS.
 4. ALL MEASUREMENTS SHOWN ARE IN MILLIMETRES.
 5. SILT SUMPS ARE NOT RECOMMENDED TO BE USED AS COLLECTION/PUMP PITS.
 6. THE CAPACITY OF THE HOLDING PIT TO BE SIZED IN ACCORDANCE WITH THE PRE-TREATMENT DEVICE.
 7. STORM WATER DIVERSION / FIRST FLUSH DEVICES MAY BE PERMITTED UPON APPLICATION.



**THESE STANDARD DRAWINGS ARE PROVIDED AS A GUIDE.
 THE DESIGNER SHOULD ENSURE THAT THE PRETREATMENT SOLUTION IS
 DESIGNED TO ENSURE COMPLIANCE WITH TASWATER DISCHARGE QUALITY
 REQUIREMENTS AND ALL OTHER REGULATORY REQUIREMENTS**

TO BE READ IN CONJUNCTION WITH TASWATER PRETREATMENT GUIDELINES

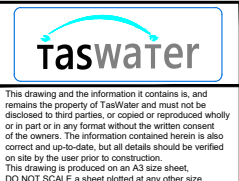
Revision Notes				
Rev.	1	Date	13/11/19	Approved
				Greg Cooper
1 - GENERAL UPDATE. SEE HPE RECORD NO. 19/136338				
B - INITIAL ISSUE				



Scale	NTS
Datum	-
Sheet Size	A3
References	

Drawn	PH	24/9/2015
Designed	GC	24/9/2015
Verified	AD	6/10/2015
Project No.	-	Discipline
Vault Folder	© 2015	
HPRM File Ref.	T15/161-002-0001	

NOT FOR CONSTRUCTION



TASWATER STANDARD DRAWING			
TRADE WASTE TYPICAL DRAWING			
EXTERNAL MECHANICAL/VEHICLE WASHDOWN AREA			
WITH SILT SUMP			
TASMANIAN WATER & SEWAGE CORPORATION PTY LTD ABN: 47 162220 653		Sheet Number	REVISION
		TWS-C-0001	4 1